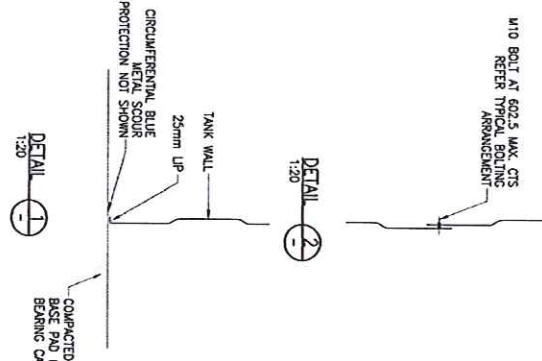
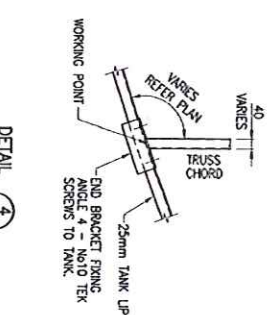
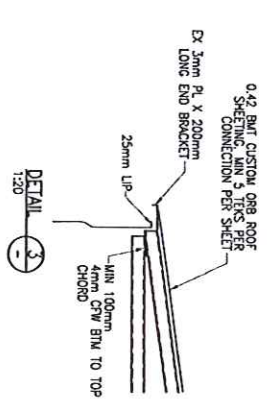
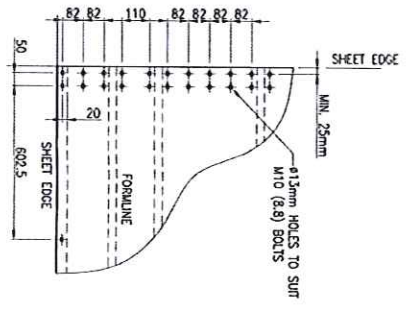
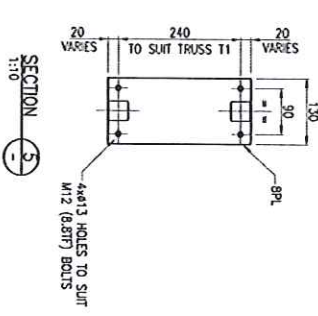
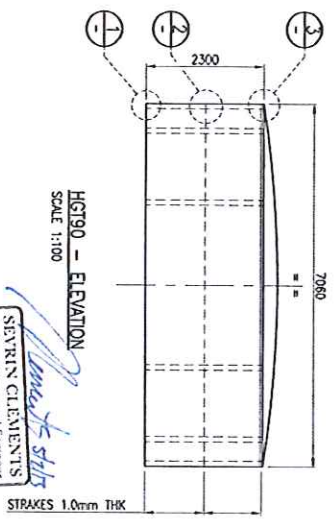
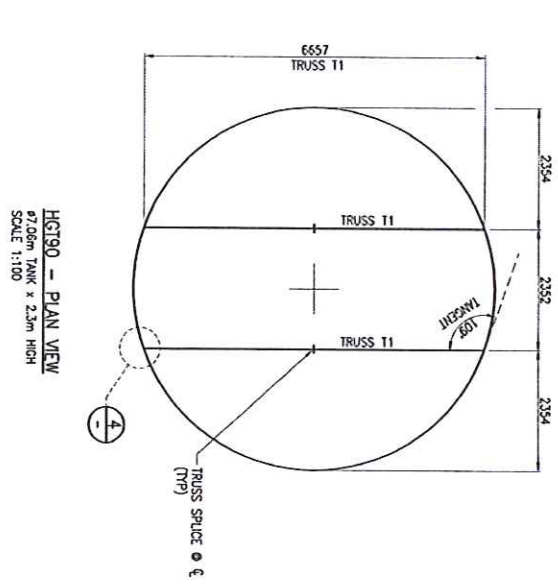
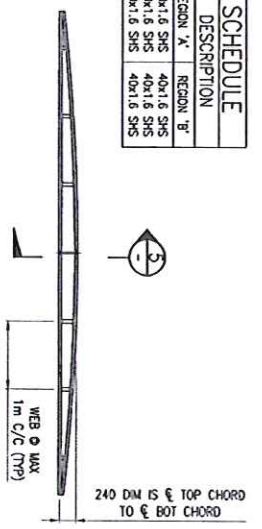


TRUSS SCHEDULE	
ELEMENT	DESCRIPTION
REGION 'A'	REGION 'B'
TOP CHORD	40x1.6 SHS
BTM CHORD	40x1.6 SHS
WEB	40x1.6 SHS



NOTES:

1. WALL SHEET STEEL GRADE CS30
2. ROOF SHEETING 0.42MM CUSTOM Ø88, MIN 5 TENS PER CONNECTION PER SHEET & EQUIVALENT SPACING
3. CIRCUMFERENTIAL TIE FRINGE TO TOP OF TANK
4. ROOF SHEETING TO BE SIDE LAP FASTENED AT MAX 1.0m C/C
5. ALL BOLTS GRADE M10 (8.8) ONLY.
6. ROOF TRUSS STEEL GRADE CS30
7. MIN FILLET WELD SIZE OF 4mm

DESIGN CRITERIA
AS/NZS 1170.2, 2002 (WIND ACTIONS)
TEMPERATURE CATEGORY 2
IMPORTANCE LEVEL 2

COMPACTED FILL / IN-SITU BASE PAD (MIN ALLOWABLE BEARING CAPACITY OF 100kPa)

Rapallo
1728 SITE : www.rapallo.com.au
LIC/007 257 7446 (AUS) 31 728 506 5300
LIC/007 257 7446 (NZ) 31 728 506 5300
PO BOX 1123 KALGOORLIE WA 4415 - IN BROADBAND STREET KALGOORLIE
PO BOX 1190 STERLING WA 6006 - GROUND FLOOR 119 HAY STREET STERLING

SEVERIN CLEMENTS
SEVERIN CLEMENTS
WA STRUCTURAL CONSULTING
ENGINEERS PTY LTD
30 PARKINSON AVENUE
PADBURY, WA, 6025
www.wastructural.com.au

Heritage Tanks Australia Pty Ltd
Head Office
26 Boulder Road
Malaga WA 6090
Tel: + 61 8 9248 6199
Fax: + 61 8 9248 6299

AS SHOWN	CLIENT
AS SHOWN	HERITAGE TANKS
	HGT RANGE OF TANKS
	HGT 90 TANK
	ARRANGEMENT & DETAILS

heritage tanks
DRAWING NUMBER
13231-HG190-S001
SCALE: A3
REV: B

NO	REV	DESCRIPTION	DATE
0	23/04/13	ISSUED TANK SCHEDULE	
1	23/04/13	ISSUED FOR REFERENCE	